

规格承认书

Specification for approval

产品名称: **5D 插件防雷压敏电阻**

**Product Type: UL Approved ZNR Transient Surge
Absorbers Metal Oxide Varistor 05D471K 5mm 470V
300VAC 385VDC 800A 0.1W 21J**

Ao littel Technology Co.Ltd.

Bld. 16, Yanhe East Road, Xiangdong Village, Dongguan 523833,
Guangdong, China

H.P.: 1371362419

QQ #: 3217998702

<http://www.passivemall.com/>

Fax #: 0769-89390418

Email : eric.lye@aolittel.com

<http://www.aolittel.com/>

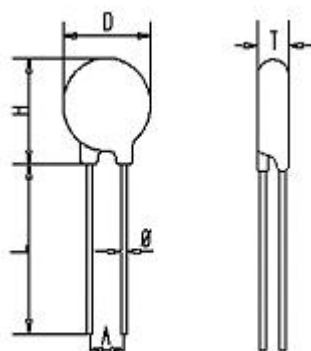
1. Features and Applications

- Large withstanding surge current capability in compact sizes
- Large “Energy Handling Capability” absorbing transient overvoltages in compact sizes
- Wide range of varistor voltages
- RoHS compliant

Recommended Applications

- Transistor, diode, IC, thyristor or triac semiconductor protection
- Surge protection in consumer electronic equipment
- Surge protection in communication, measuring or controller electronics
- Surge protection in electronic home appliances, gas or petroleum appliances

2. Dimension (mm)



Dmax	7.5
Hmax	9.5
Lmin	25
A±1	5
±0.02	0.6

3. Thickness Tmax.

180K--680K	5
820K--201K	5
221K--331K	5.5
361K--471K	6
511K--561K	6.5
621K--681K	7

4. Electrical Characteristics

Put “J” in free Code Stands For High Surge Series

Part Number	Vac	Vdc	V1mA	lp (A)	Vc(V)	I(A) Standard	I(A) High Surge	(J) Standard	(J) High Surge	Rated power(W)	C@ 1KHz(pf)
05D180K(J)	11	14	18(15-21.6)	1	40	100	250	0.4	0.6	0.01	1400
05D220K(J)	14	18	22(19.5-26)	1	48	100	250	0.5	0.7	0.01	1150
05D270K(J)	17	22	27(24-31)	1	60	100	250	0.6	0.9	0.01	930
05D330K(J)	20	26	33(29.5-36.5)	1	73	100	250	0.8	1.1	0.01	760
05D390K(J)	25	31	39(35-43)	1	80	100	250	0.9	1.2	0.01	640
05D470K(J)	30	38	47(42-52)	1	104	100	250	1.1	1.5	0.01	530
05D560K(J)	35	45	56(50-62)	1	123	100	250	1.3	1.8	0.01	450
05D680K(J)	40	56	68(61-75)	1	145	100	250	1.6	2.2	0.01	370
05D820K(J)	50	65	82(74-90)	5	150	400	800	2.5	4.0	0.1	300
05D101K(J)	60	85	100(90-110)	5	177	400	800	3.0	4.1	0.1	250
05D121K(J)	75	100	120(108-132)	5	210	400	800	4.0	4.9	0.1	210
05D151K(J)	95	125	150(135-165)	5	260	400	800	4.1	6.5	0.1	165
05D181K(J)	115	150	180(162-198)	5	320	400	800	4.9	7.5	0.1	140
05D201K(J)	130	170	200(180-220)	5	355	400	800	6.5	8.5	0.1	125
05D221K(J)	140	180	220(198-242)	5	380	400	800	7.5	9.0	0.1	110
05D241K(J)	150	200	240(216-264)	5	415	400	800	8.0	10.5	0.1	100
05D271K(J)	175	225	270(243-297)	5	475	400	800	8.5	11	0.1	95
05D301K(J)	190	250	300(270-330)	5	520	400	800	9.0	12	0.1	85
05D331K(J)	210	275	330(297-363)	5	570	400	800	9.5	13	0.1	75
05D361K(J)	230	300	360(324-396)	5	620	400	800	10	16	0.1	70
05D391K(J)	250	320	390(351-429)	5	675	400	800	12	17	0.1	65
05D431K(J)	275	350	430(387-473)	5	745	400	800	13	20	0.1	60
05D471K(J)	300	385	470(423-517)	5	810	400	800	15	21	0.1	55
05D511K(J)	320	415	510(459-561)	5	845	400	800	16	22.5	0.1	50
05D561K(J)	350	460	560(504-616)	5	920	400	800	16	24	0.1	45
05D621K(J)	385	505	620(558-682)	5	1025	400	800	21.0	25.0	0.1	40
05D681K(J)	420	560	680(612-748)	5	1120	400	800	21.0	29.0	0.1	35
05D751K(J)	460	615	750(675-825)	5	1240	400	800	22.4	32.0	0.1	30